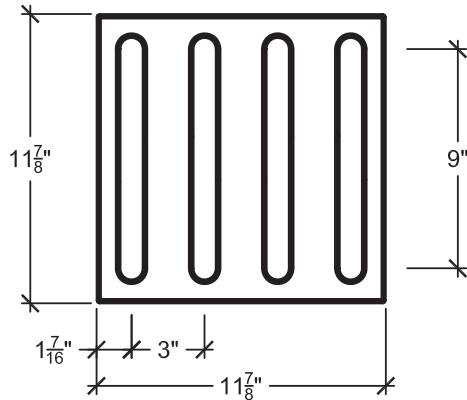
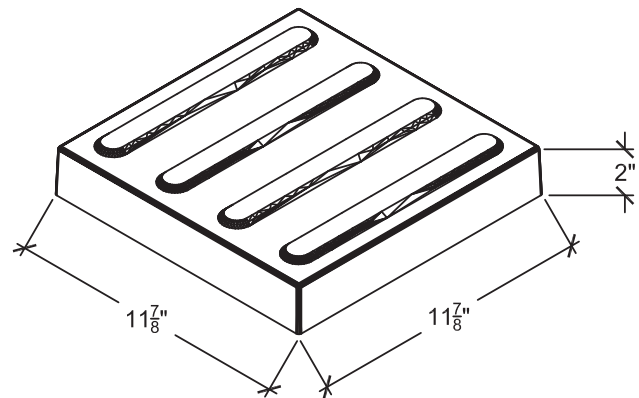
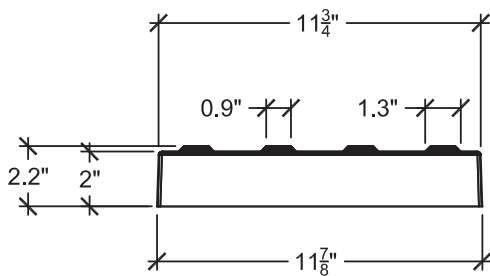


TOP VIEW



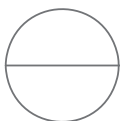
SIDE VIEW



ISOMETRIC VIEW

**NOTES:**

1. PRECAST UNITS ARE INDIVIDUALLY HAND CAST. LENGTHS ARE APPROXIMATE. SOME VARIATIONS ARE EXPECTED.
2. INSTALLATION TO BE COMPLETED IN ACCORDANCE WITH GENERALLY ACCEPTED MASONRY PRACTICES.
3. DETECTABLE DIRECTIONAL PAVERS ARE AVAILABLE IN TWELVE (12) STANDARD COLORS INCLUDING FEDERAL YELLOW.
4. ALL SIDES HAVE DRAFT. SEE SPECIFICATIONS FOR TOLERANCES.



**DETECTABLE DIRECTIONAL PAVER 12" X 12" X 2" DETAILS**

SCALE: N.T.S.